

DISCONTINUED
Not for new designs
See ME9000 Series for
new applications

Description

The ME9100 Series Serial I/O Boards are the easy way to add isolated serial ports to any PC. The ME9100 boards plug into any empty PCI socket and are available with 4 or 8 RS-232 or RS-422/RS-485 interfaces.

Applications

The ME9100 Series Serial I/O Boards can be used in many applications where extra serial ports are needed. Use them to connect terminals to the computer for multi-user programs. Use them to connect serial transducers to the computer to instrument a test laboratory or production facility. Use them in test systems to communicate with the UUT and avoid damaging the PC motherboard. Use them in POS applications to connect to peripheral devices like scales, scanners etc. They may also be used to replace damaged COM ports on the PC motherboard with a plug-in serial interface.

Serial Channels

The ME9100 Series Serial I/O Boards are available in four and eight channel versions. The boards may be ordered with all RS-232 channels, with all RS-422/RS-485 channels or with a mix of both types of signals on one card. All of the serial signals are present on a 78-pin D-sub connector that protrudes out the rear panel of the computer. An optional cable harnesses is available which breaks each channel's signals out to individual 9-pin D-sub connectors. Serial isolation is available on the ME9100 series boards.

Each RS-232 channel has the TX and RX data lines plus the RTS, CTS, DCD and DTR handshake signals, an RI input and ground. Each RS-422/RS-485 channel has TX and RX signal pairs. The ME9100 Series Serial I/O Boards may be used for full or half-duplex operation. For two-wire, half-duplex operation, the TX and RX signals are jumpered

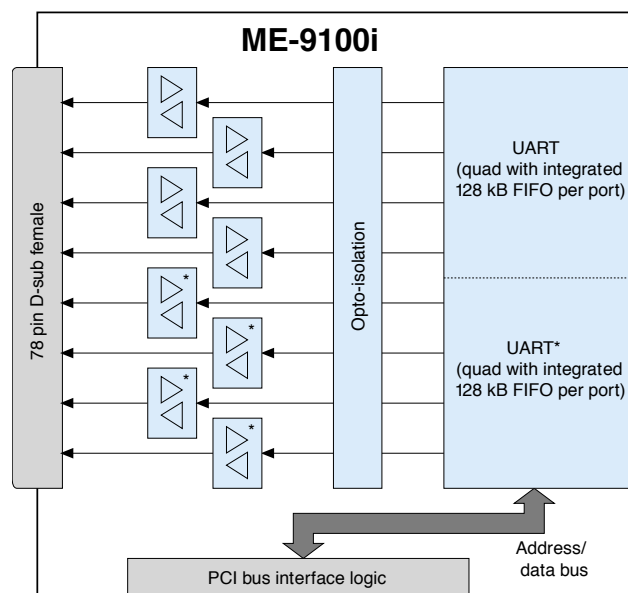


together externally to make a bi-directional, RS-485 signal pair. In half-duplex operation, the RS-485 transmitter is tristated when the transmitter is not transmitting.

Software Support

The ME9100 Series Serial I/O Boards include a full set of drivers for Windows 95/98/Me/NT and 2000. The drivers support Visual Basic, Visual C++, Delphi, Borland C/C++ Builder, Linux. The ME9100 Series Serial I/O Boards can also be used as standard COM interfaces for Windows, LabVIEW and Agilent VEE.

- Adds 4 or 8 isolated serial channels to your computer. *Extra channels to connect to every serial device.*
- 128 byte FIFO in each channel for baud rates up to 250 kbaud standard, 921.6 kbaud optional. *Handles the highest speed serial devices.*
- Available with RS-232 only, with RS-422/RS-485 only and with mixed interfaces. *Your choice of interfaces.*
- 1000 V Isolation *Eliminates ground loops.*
- Expands your computer's serial capability. *Overcomes the two COM port limit.*
- Plugs into any PCI slot. *Fits most Intel type PCs*
- Plug&Play Compatible *Easy installation - no switches to set.*
- Included drivers support Visual Basic, C++, Delphi, Linux, LabVIEW and Agilent's VEE. *Works with virtually any test program.*



ME9100 Block Diagram

CE Approved



ICSDaCom

division of Systems West Inc.

7034 Commerce Circle
 Pleasanton, CA 94588

▶ Phone: 925.416.1000

Fax: 925.416.0105

www.icsdatacom.com

ME9100 SPECIFICATIONS

Serial Interfaces

RS-232 Interfaces are full-duplex and include data and handshake signals

Signals TX, RX, RTS, CTS, DCD, DTR and RI

Baud Rates Std Windows baud rates up to 250 kbaud. (921.6 kbaud optional)

Data Bits 4, 5, 6, 7 or 8 bits

Parity None, even, odd, mark or space

Stop bits 1, 1.5, or 2

Flow Cntl Xon/Xoff, Hardware, or None

Isolation 1000 V

RS-422/RS-485 Interfaces are full or half-duplex and include the following signals:

Signals TX and RX pairs

Baud Rates Std Windows baud rates up to 921.6

kbaud.

Data Bits 4, 5, 6, 7 or 8 bits

Parity None, even, odd, mark or space

Stop bits 1, 1.5, or 2

Distance 1200 M

Isolation 1000 V

PC Compatibility

PCI bus interface is PCI 2.1 compliant.

Works with all Intel type PCs

Compatible Software

Graphical Programs
Agilent VEE, VEE Lab, Agilent Onelab, LabVIEW

Languages

C++, Visual Basic, Delphi, Borland C Builder

Systems

Windows 98/Me/NT/2K and XP
Linux

Physical

Power consumption

2,3 A @ +5 V typ.

Size

136 x 107 mm
(without mounting bracket)

Connector

78-pin D-Sub female connector

Temperature

Operating 0 to 70 °C
Storage 0 to 50°C

Relative humidity

20 to 55% (not condensing)

CE Certification

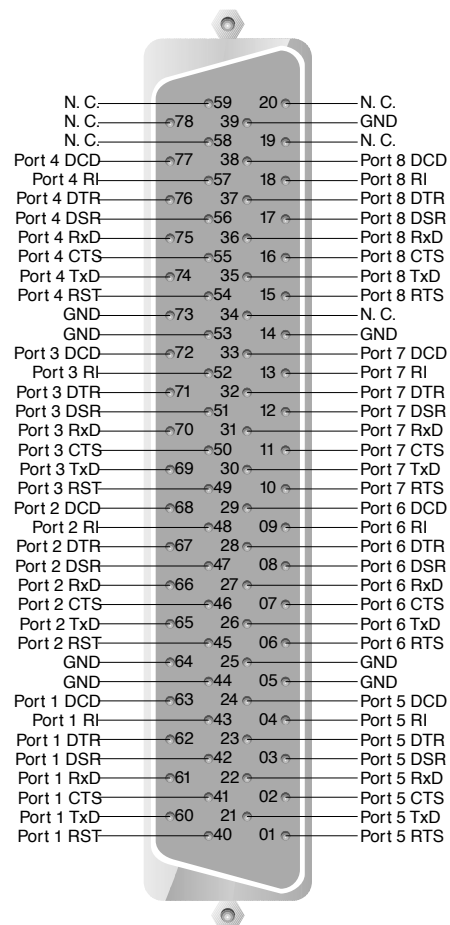
EMC Directive 89/336/EMC

Emission EN 55022

Noise immunity EN 50082-2

Included Items

4 or 8 channel Board
Manual on CD-ROM
Drivers for Windows 95/98/Me/NT and Windows 2000
Breakout Cable for 4 or 8 channels, 1 m long



ORDERING INFORMATION

	Part Number
Four channel Isolated RS-232 Interface Board with drivers and cable	ME9100/42
Eight channel Isolated RS-232 Interface Board with drivers and cable	ME9100/82
Four channel Isolated RS-422/RS-485 Interface Board with drivers and cable	ME9100/45
Eight channel isolated RS-422/RS-485 Interface Board with drivers and cable	ME9100/85
Four channel breakout Cable	ME AK-Q
Eight channel breakout Cable	ME AK-O